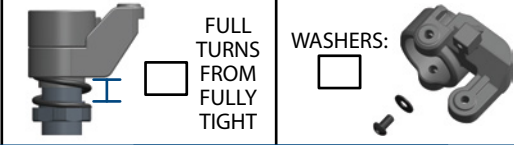
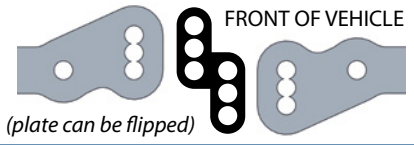
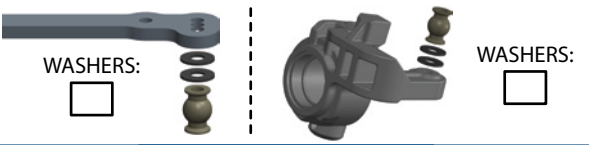


Name: _____ Date: _____ Event: _____

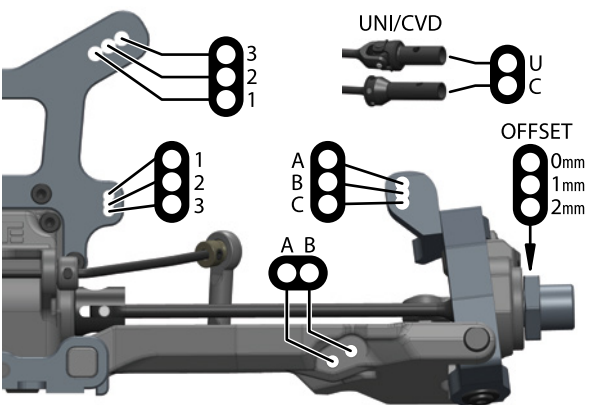
Track: INDOOR OUTDOOR Size: SMALL MEDIUM LARGE Traction: LOW MEDIUM HIGH

Surface: SMOOTH BUMPY RUTTED Type: LOOSE / LOAMY HARD PACKED BLUE GROOVE CLAY ASTRO

Bumpsteer/Ackerman/Servo Saver/Steering Stop: _____ Condition: DUSTY DRY WET MUDDY



Front End:



Suspension:

RIDE HEIGHT: _____ CAMBER: _____

CASTER BLOCK: _____ SWEEP: _____

KICK UP: _____ TOE: _____

SWAY BAR: _____ DROOP: _____

OIL: _____ BRAND: _____

PISTON: _____ SPRING: _____

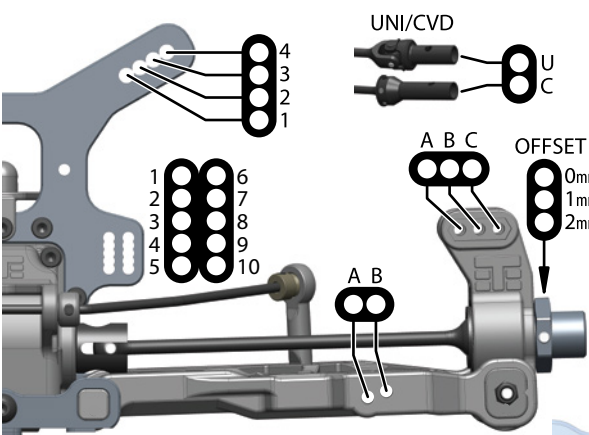
REBOUND: _____ BUILD: _____

Shocks:

Differential Oil:

FRONT	CENTER	REAR
/	/	/
Drivetrain:		
CLUTCH / SPUR: _____	/	(teeth)
CLUTCH SHOES: _____		
CLUTCH SPRINGS: _____		
BRAKE BIAS %: _____	(front)	(rear)
Equipment:		
ENGINE / PIPE: _____ / _____		
FUEL / PLUG: _____ / _____		
RX BATTERY: _____		
STEERING		THROTTLE / BRAKE
SERVOS: _____ / _____		

Rear End:



Suspension:

RIDE HEIGHT: _____ CAMBER: _____

ANTI-SQUAT: _____ TOE: _____

SWAY BAR: _____ DROOP: _____

OIL: _____ BRAND: _____

PISTON: _____ SPRING: _____

REBOUND: _____ BUILD: _____

Shocks:

Chassis Braces:

REAR-SHORT: REAR-LONG:

Tires / Wheels:

BRAND / TREAD: _____

COMPOUND: _____

INSERT: _____

WHEEL: _____

NOTES: _____

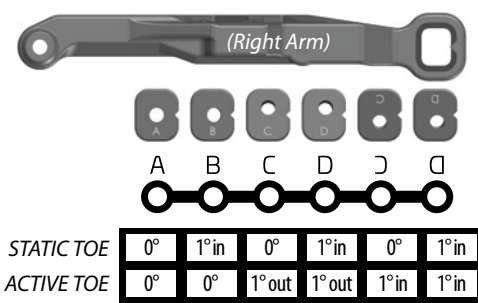
Body / Wing:

BODY MAKE: _____

WING MAKE: _____

Notes:

Arm Inserts:



Rear Hub / Wheelbase:

