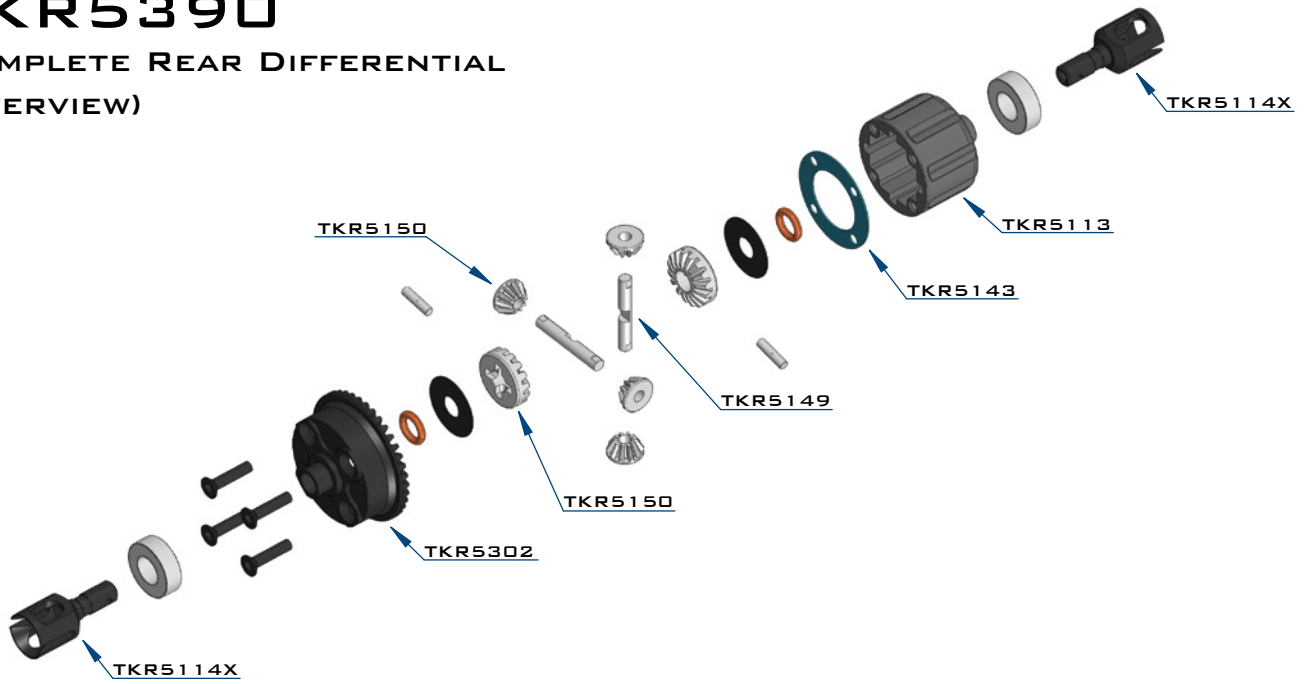


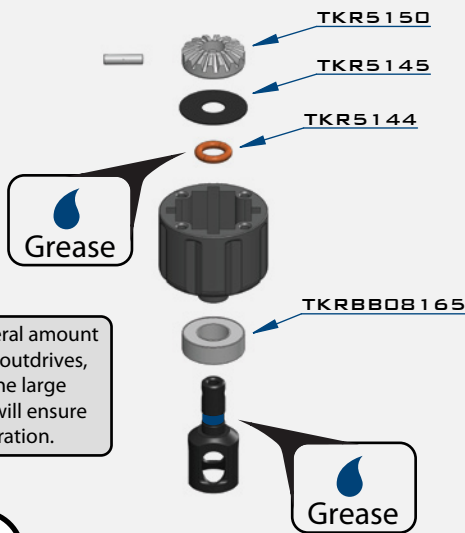
TKR5390

COMPLETE REAR DIFFERENTIAL

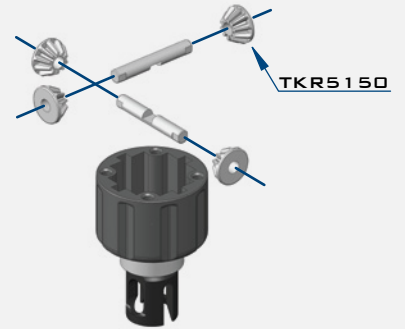
(OVERVIEW)



STEP 1

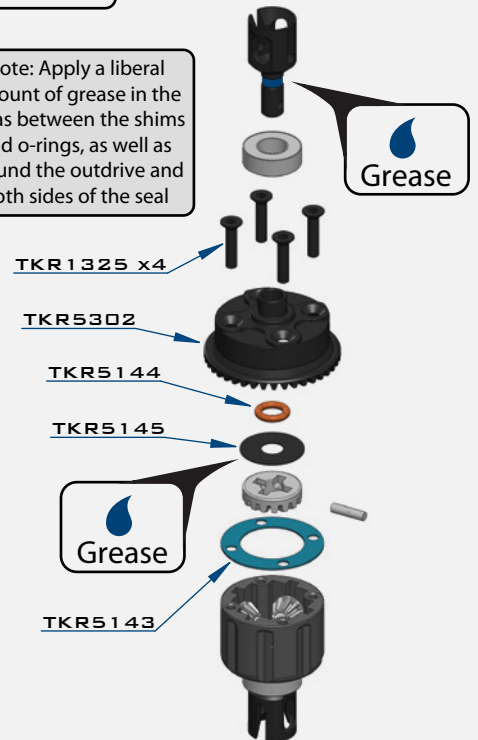


STEP 2



STEP 4

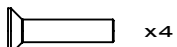
Note: Apply a liberal amount of grease in the areas between the shims and o-rings, as well as around the outdrive and both sides of the seal



STEP 3



Fill oil to 1mm below full



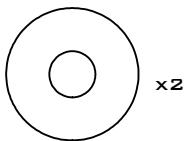
x4

TKR1325
M3X14MM FLAT HEAD SCREW



x2

TKR5144
DIFFERENTIAL O-RINGS



x2

TKR5145
DIFFERENTIAL SHIMS (6X17MM)



x2

TKRBB08165
BALL BEARING(8X16X5MM)